

NPA

New Product Announcement

TOOLING

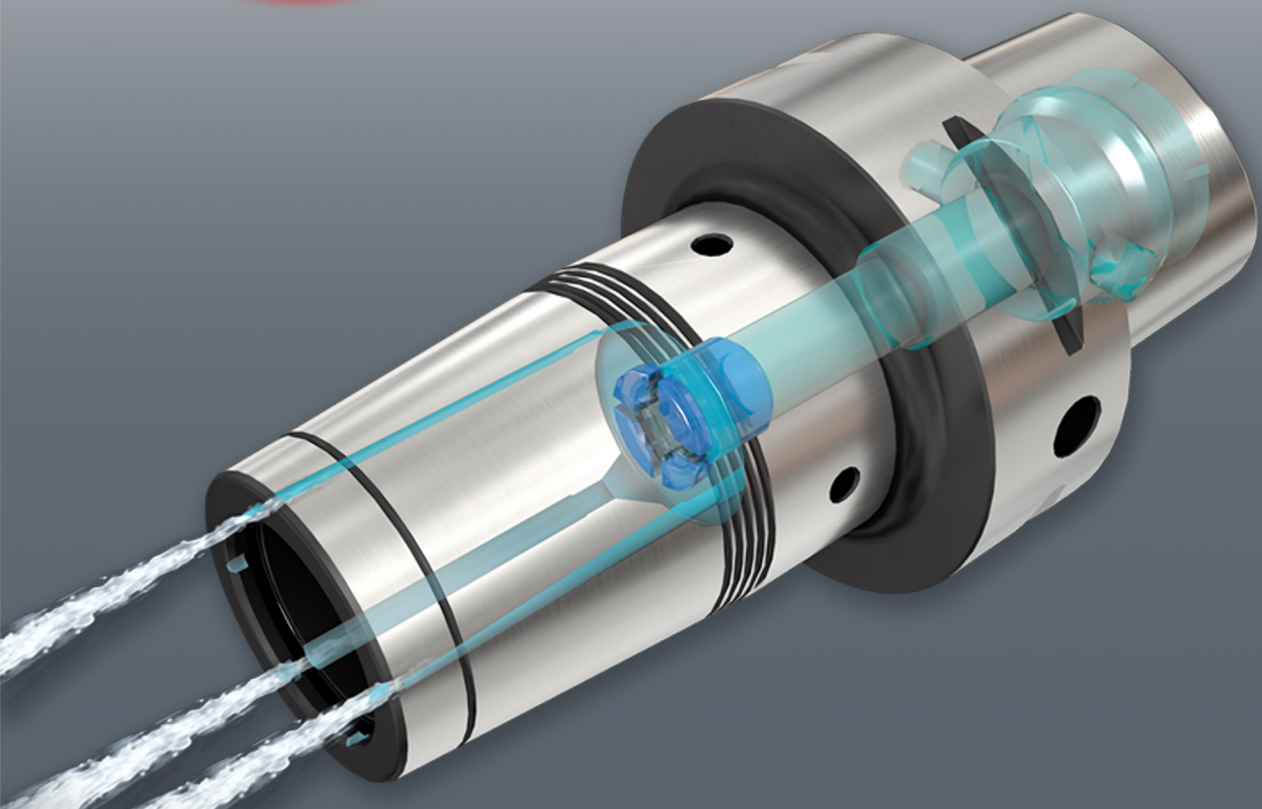
33-2021

SEPTEMBER 2021 • METRIC

PAGE 1 / 3



C8 SRKIN CX



X-STREAM SHRINKiN
JET TOOLHOLDING

Thermal Camfix C8 Shrink Chucks with Coolant Jet Channels Along the Shank Bore

Highlights

ISCAR expands the X-Stream product line with new CAMFIX C8 SRKIN-CX shrink chucks.

Thermal shrink chucks CAMFIX tapered shanks with coolant jet channels along the shank bore suitable for solid carbide, HSS and steel tools.

The new family offers several bore sizes from 6 to 32 mm tool diameters.

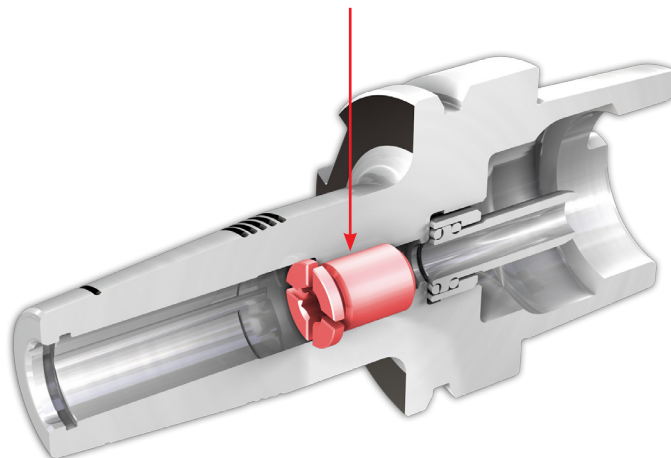
Features

- Increased coolant velocity is obtained due to flow-rate conservation and a smaller coolant discharge area
- Coolant directed to cutting edges
- Prolonged tool life
- Eliminates chip sticking at the cutting edges
- Suitable for high-speed milling
- Effective chip evacuation prevents chip recutting

Applications and advantages

- Cavities and pockets milling applications
- Semi-finish and finishing profile milling titanium blisk blades
- Milling applications that generate high temperatures such as very hard alloy steels, high-temperature alloys, etc.

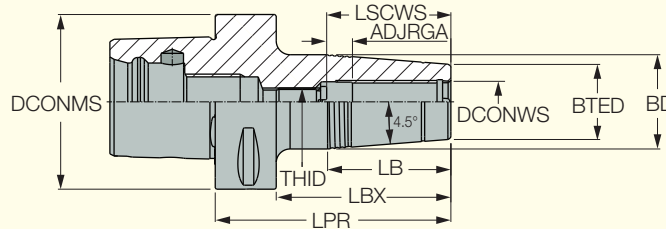
Note: Preset CX screw allows coolant supply via jet channels - do not remove!



X-STREAM SHRINKIN
JET TOOLHOLDING

C#-SRKIN-CX

Thermal Shrink Chucks with CAMFIX (ISO 26623-1) Tapered Shank and Coolant Jet Channels along the Shank Bore



G2.5

Size 50,63=20,000RPM

U<1.0 gmm

NEW
NEW
NEW
NEW
NEW
NEW
NEW
NEW
NEW
NEW
NEW

Designation	DCONMS	DCONWS	BTED	BD	LPR	LBX	LB	LSCWS	ADJRGA	THID	Key ⁽¹⁾	CDI	
C6 SRKIN 6X80 CX	63.00	6.00	21.00	27.00	80.00	58.00	38.10	34.00	9.50	M5	2.50	1	0.95
C6 SRKIN 8X80 CX	63.00	8.00	21.00	27.00	80.00	58.00	38.10	34.00	9.50	M6	3.00	1	0.94
C6 SRKIN 10X80 CX	63.00	10.00	24.00	32.00	80.00	58.00	50.80	39.80	9.30	M8	4.00	1	1.07
C6 SRKIN 12X80 CX	63.00	12.00	24.00	32.00	80.00	58.00	50.80	44.80	9.30	M10	5.00	1	1.01
C6 SRKIN 14X85 CX	63.00	14.00	27.00	34.00	85.00	63.00	44.50	44.80	9.30	M10	5.00	1	1.08
C6 SRKIN 16X85 CX	63.00	16.00	27.00	34.00	85.00	63.00	44.50	47.80	9.30	M12	6.00	1	1.06
C6 SRKIN 18X85 CX	63.00	18.00	33.00	42.00	85.00	63.00	57.20	47.80	9.30	M12	6.00	1	1.21
C6 SRKIN 20X85 CX	63.00	20.00	33.00	42.00	85.00	63.00	57.20	49.00	8.50	M16	8.00	1	1.16
C6 SRKIN 25X90 CX	63.00	25.00	44.00	53.00	90.00	68.00	57.20	55.00	8.50	M16	8.00	1	1.50
C6 SRKIN 32X95 CX	63.00	32.00	44.00	53.00	95.00	73.00	57.20	59.00	8.50	M16	8.00	1	1.46
C8 SRKIN 6X90 CX	80.00	6.00	21.00	27.00	90.00	60.00	38.10	33.90	9.40	M5	2.50	1	2.05
C8 SRKIN 8X90 CX	80.00	8.00	21.00	27.00	90.00	60.00	38.10	34.00	9.50	M6	3.00	1	2.05
C8 SRKIN 10X90 CX	80.00	10.00	24.00	32.00	90.00	60.00	50.80	39.80	9.30	M8	4.00	1	2.10
C8 SRKIN 12X90 CX	80.00	12.00	24.00	32.00	90.00	60.00	50.80	44.80	9.30	M10	5.00	1	2.08
C8 SRKIN 12X120 CX	80.00	12.00	24.00	32.00	120.00	90.00	50.80	44.80	9.30	M10	5.00	1	0.00
C8 SRKIN 12X160 CX	80.00	12.00	24.00	32.00	160.00	130.00	50.80	44.80	9.30	M10	5.00	1	2.60
C8 SRKIN 16X95 CX	80.00	16.00	27.00	34.00	95.00	65.00	44.50	47.80	9.30	M12	6.00	1	0.00
C8 SRKIN 16X120 CX	80.00	16.00	27.00	34.00	120.00	90.00	44.50	47.80	9.30	M12	6.00	1	2.32
C8 SRKIN 16X160 CX	80.00	16.00	27.00	34.00	160.00	130.00	44.50	47.80	9.30	M12	6.00	1	2.66
C8 SRKIN 20X95 CX	80.00	20.00	33.00	42.00	95.00	65.00	57.20	49.00	8.50	M16	8.00	1	2.24
C8 SRKIN 25X100 CX	80.00	25.00	44.00	53.00	100.00	70.00	57.20	55.00	8.50	M16	8.00	1	2.49
C8 SRKIN 32X115 CX	80.00	32.00	44.00	53.00	115.00	85.00	57.20	59.00	8.50	M16	8.00	1	2.70

• Use only inductive heating device for SRKIN holders • Preset screw CX allows supply of coolant via JET channels - do not remove

⁽¹⁾ Hex key size for the rear stopper screw

Spare Parts



Designation	Preset Screw	Cooling Tube	Wrench
C6 SRKIN 6X80 CX	PRESET CX M5X13	COOLING TUBE C6*	WRENCH COOL TUBE C6*
C6 SRKIN 8X80 CX	PRESET CX M6X12	COOLING TUBE C6*	WRENCH COOL TUBE C6*
C6 SRKIN 10X80 CX	PRESET CX M8X16	COOLING TUBE C6*	WRENCH COOL TUBE C6*
C6 SRKIN 12X80 CX	PRESET CX M10X16	COOLING TUBE C6*	WRENCH COOL TUBE C6*
C6 SRKIN 14X85 CX	PRESET CX M10X16	COOLING TUBE C6*	WRENCH COOL TUBE C6*
C6 SRKIN 16X85 CX	PRESET CX M12X16	COOLING TUBE C6*	WRENCH COOL TUBE C6*
C6 SRKIN 18X85 CX	PRESET CX M12X16	COOLING TUBE C6*	WRENCH COOL TUBE C6*
C6 SRKIN 20X85 CX	PRESET CX M16X14	COOLING TUBE C6*	WRENCH COOL TUBE C6*
C6 SRKIN 25X90 CX	PRESET CX M16X14	COOLING TUBE C6*	WRENCH COOL TUBE C6*
C6 SRKIN 32X95 CX	PRESET CX M16X14	COOLING TUBE C6*	WRENCH COOL TUBE C6*
C8 SRKIN 6X90 CX	PRESET CX M5X13	COOLING TUBE C8*	WRENCH COOL TUBE C8*
C8 SRKIN 8X90 CX	PRESET CX M6X12	COOLING TUBE C8*	WRENCH COOL TUBE C8*
C8 SRKIN 10X90 CX	PRESET CX M8X16	COOLING TUBE C8*	WRENCH COOL TUBE C8*
C8 SRKIN 12X90 CX	PRESET CX M10X16	COOLING TUBE C8*	WRENCH COOL TUBE C8*
C8 SRKIN 12X120 CX	PRESET CX M10X16	COOLING TUBE C8*	WRENCH COOL TUBE C8*
C8 SRKIN 12X160 CX	PRESET CX M10X16	COOLING TUBE C8*	WRENCH COOL TUBE C8*
C8 SRKIN 16X95 CX	PRESET CX M12X16	COOLING TUBE C8*	WRENCH COOL TUBE C8*
C8 SRKIN 16X120 CX	PRESET CX M12X16	COOLING TUBE C8*	WRENCH COOL TUBE C8*
C8 SRKIN 16X160 CX	PRESET CX M12X16	COOLING TUBE C8*	WRENCH COOL TUBE C8*
C8 SRKIN 20X95 CX	PRESET CX M16X14	COOLING TUBE C8*	WRENCH COOL TUBE C8*
C8 SRKIN 25X100 CX	PRESET CX M16X14	COOLING TUBE C8*	WRENCH COOL TUBE C8*
C8 SRKIN 32X115 CX	PRESET CX M16X14	COOLING TUBE C8*	WRENCH COOL TUBE C8*

* Optional, should be ordered separately